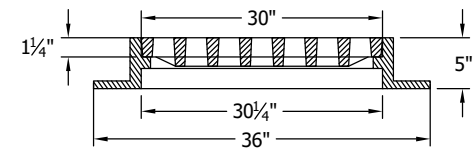
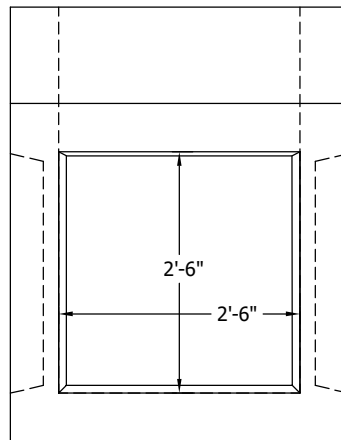
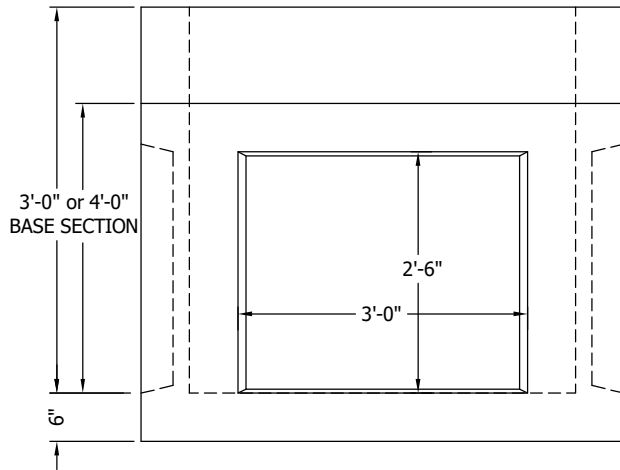
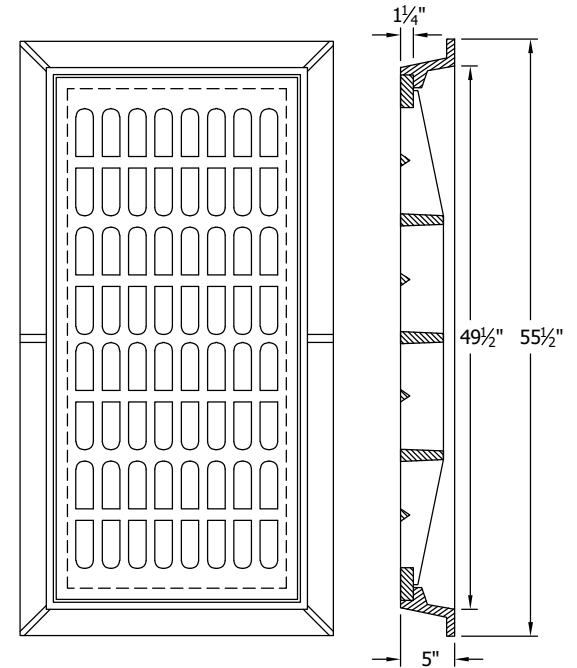
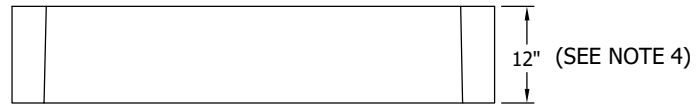


ⓑ



NOTES:

- 1) CONCRETE TO TEST 5,000 PSI AT 28 DAYS.
- 2) LOAD RATING: FOR A.A.S.H.T.O. & HS 20-44 HIGHWAY LOADING.
- 3) FRAME AND COVER/GRATE PATTERNS AVAILABLE UPON REQUEST.
- 4) RISER HEIGHT OPTIONS INCLUDE 12" (SHOWN) AND 24".

WEIGHTS:	
BASE 36" H. =	3,160#
BASE 48" H. =	4,240#
RISER 12" H. =	1,120#
RISER 24" H. =	2,240#
CASTING F&G=	662#



276 Clove Road
Salisbury Mills, New York, 12577
www.arconcrete.com
845-562-0640

30"X 48" KNOCKOUT CATCH BASINS

CONTRACTOR:

DATE: 4/5/2024

REV.:

DWN.BY: A&R LLC

DWG. NO.:

KO_KNOCK-OUT CBS