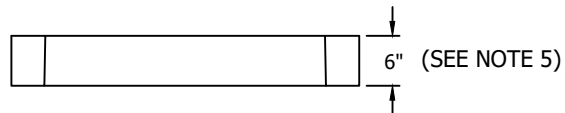
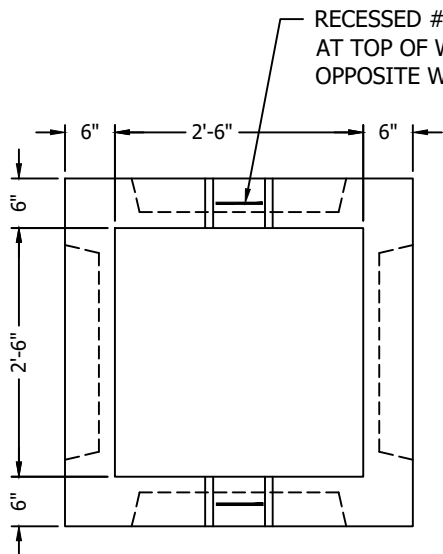


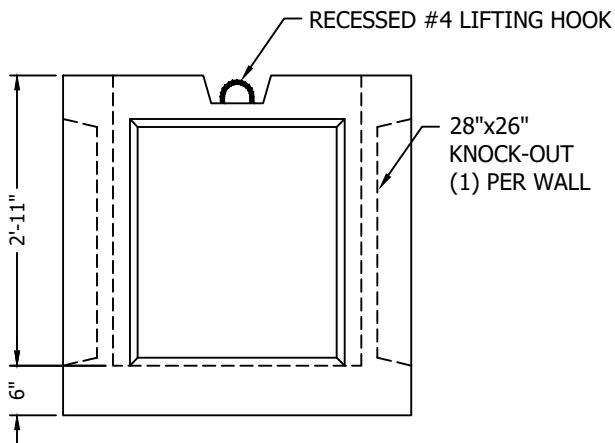
CONCRETE COVER (OPTIONAL)  
1/2" = 1'-0"



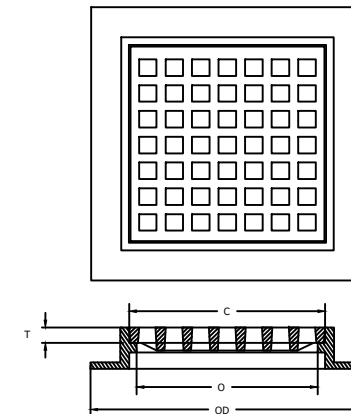
RISER  
1/2" = 1'-0"



PLAN  
1/2" = 1'-0"



ELEVATION  
1/2" = 1'-0"



MODEL	C	O	OD	H	T
ASQ30304SH	30X30	28X28	36X36	4	1 1/2

SEE NOTES

FRAME & GRATE  
1/2" = 1'-0"

NOTES:

- 1) CONCRETE TO TEST 5,000 PSI AT 28 DAYS.
- 2) REINFORCING STEEL PER ASTM A615, #4 REBAR.
- 3) LOAD RATING: FOR A.A.S.H.T.O. & HS 20-44 HIGHWAY LOADING.
- 4) ALTERNATE FRAME AND COVER/GRATE PATTERNS AVAILABLE UPON REQUEST.
- 5) RISER HEIGHT OPTIONS INCLUDE 6" (SHOWN), 12", 18" AND 24".

WEIGHT  
\_\_\_\_ POUNDS



276 Clove Road  
Salisbury Mills, New York, 12577  
www.arconcrete.com  
845-562-0640

30" x 30" KNOCK-OUT CATCH BASIN

CONTRACTOR:

---

DATE: 2/15/2021

REV.: ---

DWN.BY: A&R LLC

DWG. NO.: 30X30KOCB