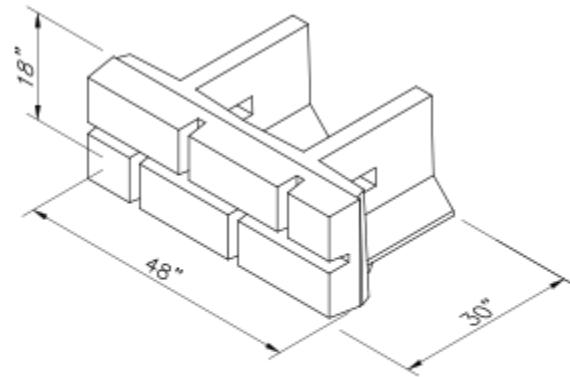


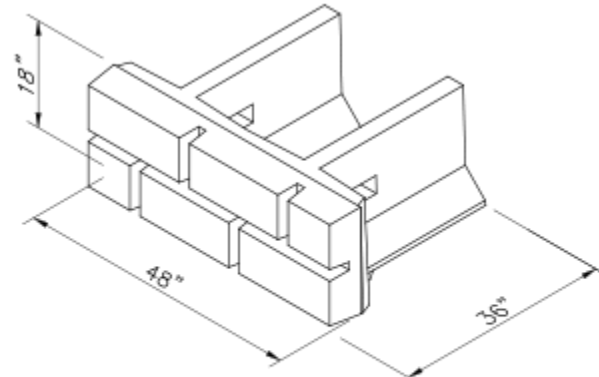
FORIX

Precast Modular Wall System



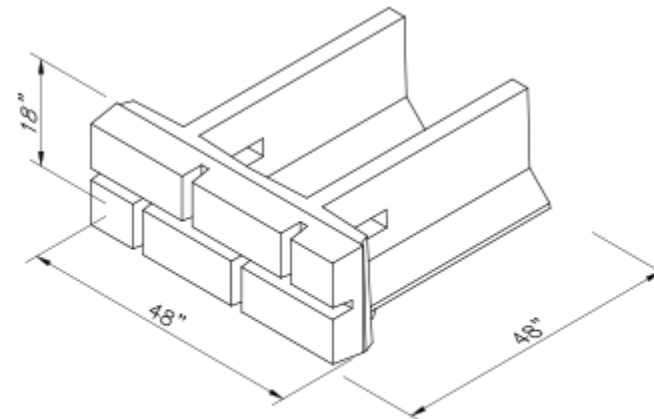
30" UNIT

VOLUME 5.65 FT³
DENSITY 143 LBS/FT
WEIGHT 808 LBS



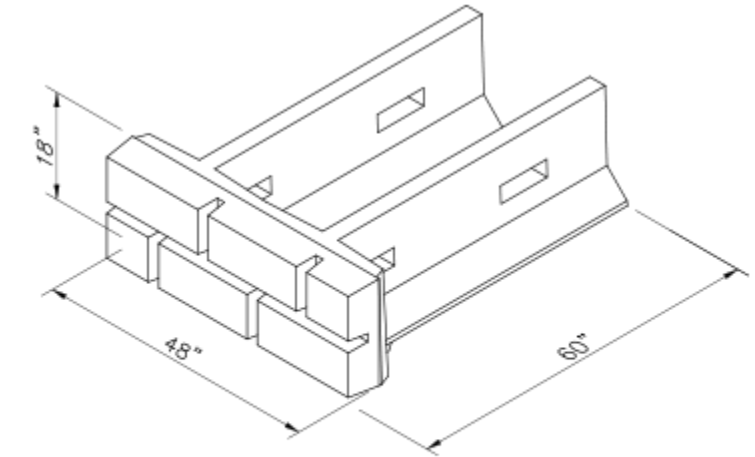
36" UNIT

VOLUME 6.22 FT³
DENSITY 143 LBS/FT
WEIGHT 890 LBS



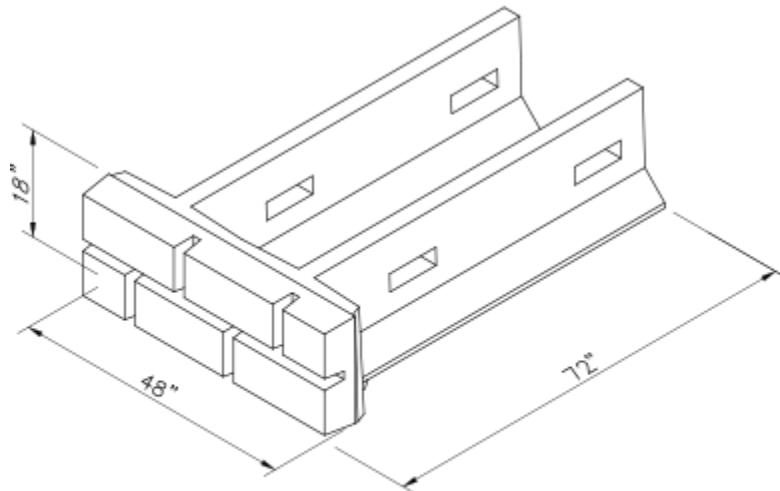
48" UNIT

VOLUME 7.38 FT³
DENSITY 143 LBS/FT
WEIGHT 1,056 LBS



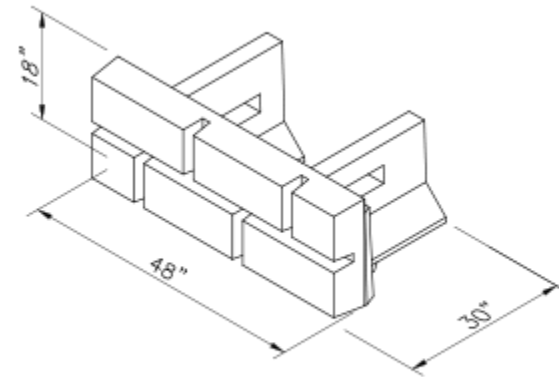
60" UNIT

VOLUME 8.46 FT³
DENSITY 143 LBS/FT
WEIGHT 1,205 LBS



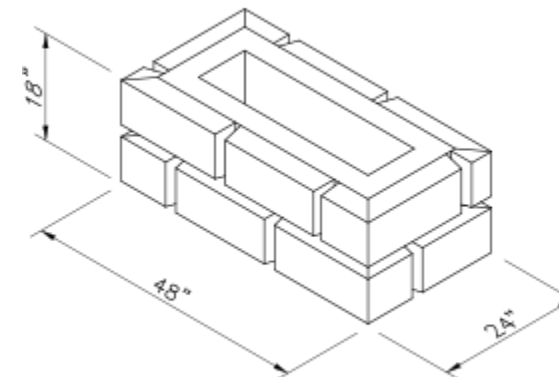
72" UNIT

VOLUME 9.58 FT³
DENSITY 143 LBS/FT
WEIGHT 1,370 LBS



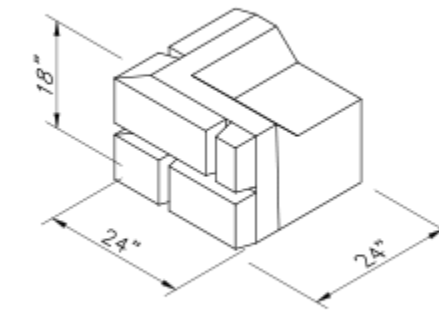
TOP UNIT

VOLUME 3.99 FT³
DENSITY 143 LBS/FT
WEIGHT 571 LBS



CORNER UNIT

VOLUME 8.42 FT³
DENSITY 143 LBS/FT
WEIGHT 1,205 LBS



END UNIT

VOLUME 4.23 FT³
DENSITY 143 LBS/FT
WEIGHT 605 LBS