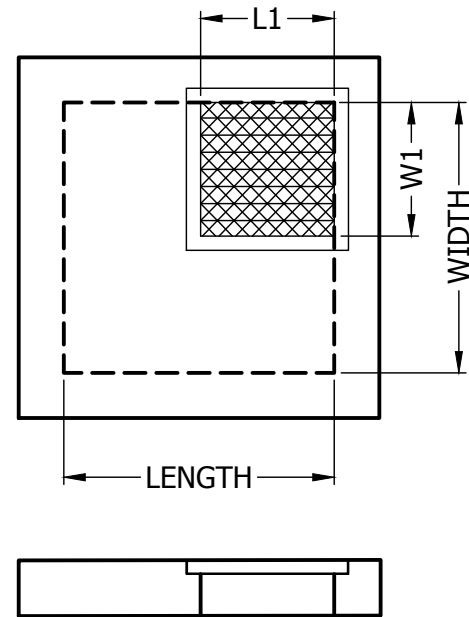
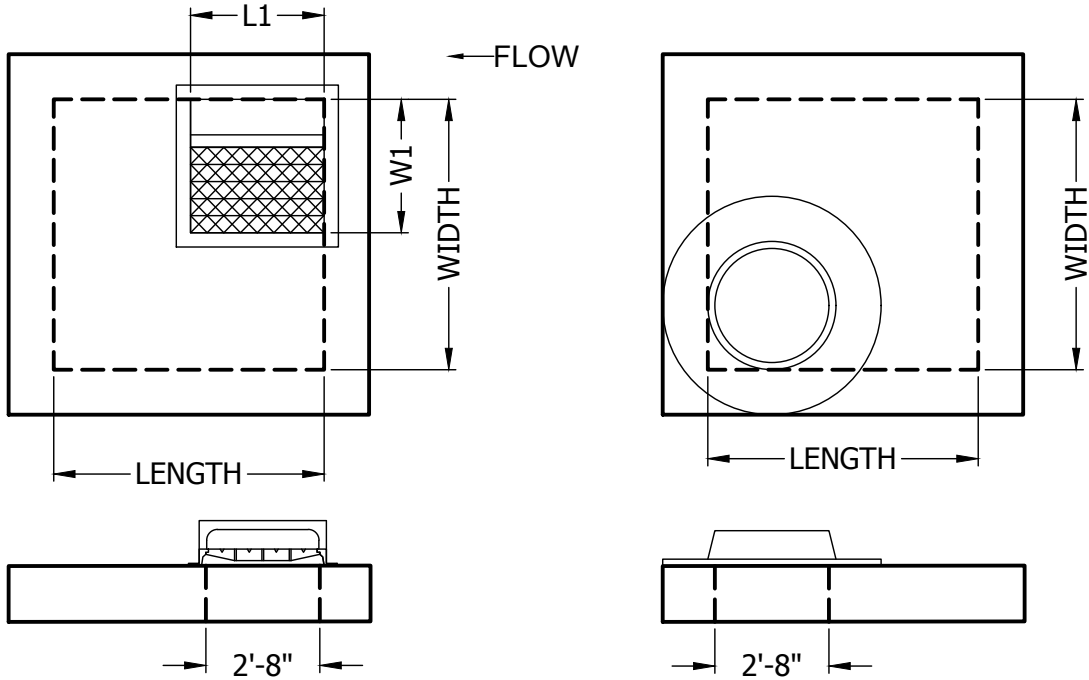




7 Ruscitti Road
 New Windsor, New York, 12553
 www.arconcrete.com
 845-562-0640

NYSDOT Standard Cover Slabs Types "A" thru "P"



FRAME DIMENSIONS				
TYPE	W1	(mm)	L1	(mm)
3	1' - 11 15/16"	(608)	3' - 1 1/2"	(953)
6	2' - 2 7/16"	(672)	2' - 3 1/2"	(699)
11	2' - 4 15/16"	(735)	3' - 1 1/2"	(953)
16	2' - 7 7/16"	(799)	3' - 11 1/2"	(1207)
22	3' - 2 15/16"	(989)	3' - 6 1/2"	(1080)
10PCB	2' - 0 7/8"	(632)	3' - 2 1/2"	(978)
11PCB	2' - 3 3/8"	(695)	4' - 0 1/2"	(1232)
12PCB	2' - 10 7/8"	(886)	3' - 7 1/2"	(1105)
F1	3' - 5 3/4"	(1060)	3' - 0"	(915)
F2	3' - 5 3/4"	(1060)	3' - 10"	(1168)
F3	3' - 5 3/4"	(1060)	4' - 8"	(1422)

- * See dwg. NYSDOT 1 and NYSDOT 2 for standard inlet boxes.
- * Meets NYSDOT 706-04
- * See current NYSDOT Standard Sheets 604-5 thru 604-7.