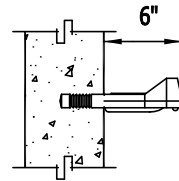
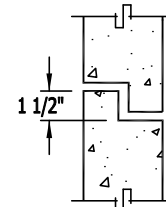


PLAN

MA INDUSTRIES MODEL# PS2-PF
STEEL REINFORCED COPOLYMER
POLYPROPYLENE PLASTIC STEP

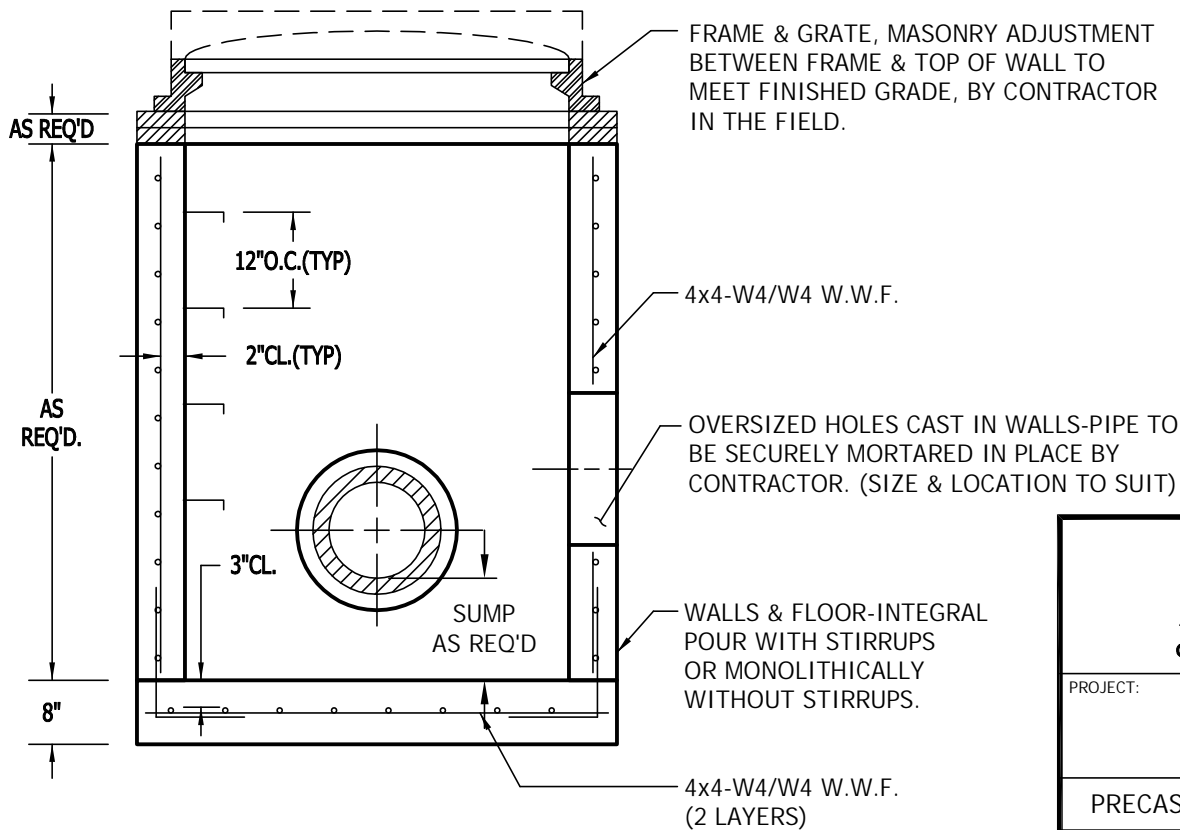


STEP DETAIL



RISER SECTION TO BE
SECURELY MORTARED
TO BASE SECTION
BY CONTRACTOR.

WALL JOINT DETAIL
(WHEN REQUIRED)



SECTION

NOTES:

- 1) CONCRETE TO TEST 4000 PSI AT 28 DAYS.
- 2) ALL COMPONENTS ARE DESIGNED TO WITHSTAND AASHTO HS-20 LOADING.
- 3) ALL MATERIALS ARE IN CONFORMANCE WITH N.Y.S.D.O.T. SPECIFICATIONS AND MATERIALS.



7 Ruscitti Road
New Windsor, New York, 12553
www.arconcrete.com
845-562-0640

PROJECT:	DATE:
	REV.:
PRECAST CONCRETE CATCH BASIN ID 42"x48"	DWN.BY: AR LLC
CONTRACTOR:	DWG. NO.: