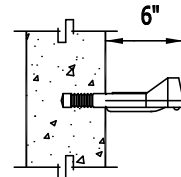
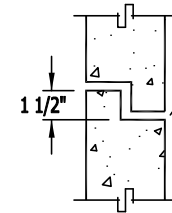


MA INDUSTRIES MODEL# PS2-PF  
 STEEL REINFORCED COPOLYMER  
 POLYPROPYLENE PLASTIC STEP

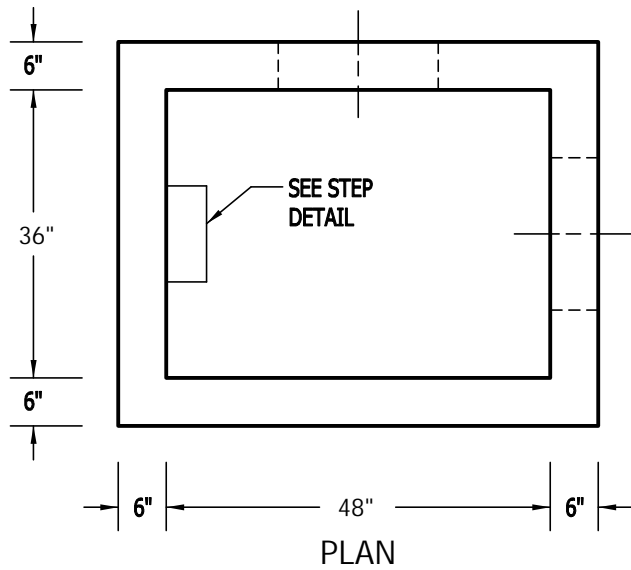


STEP DETAIL

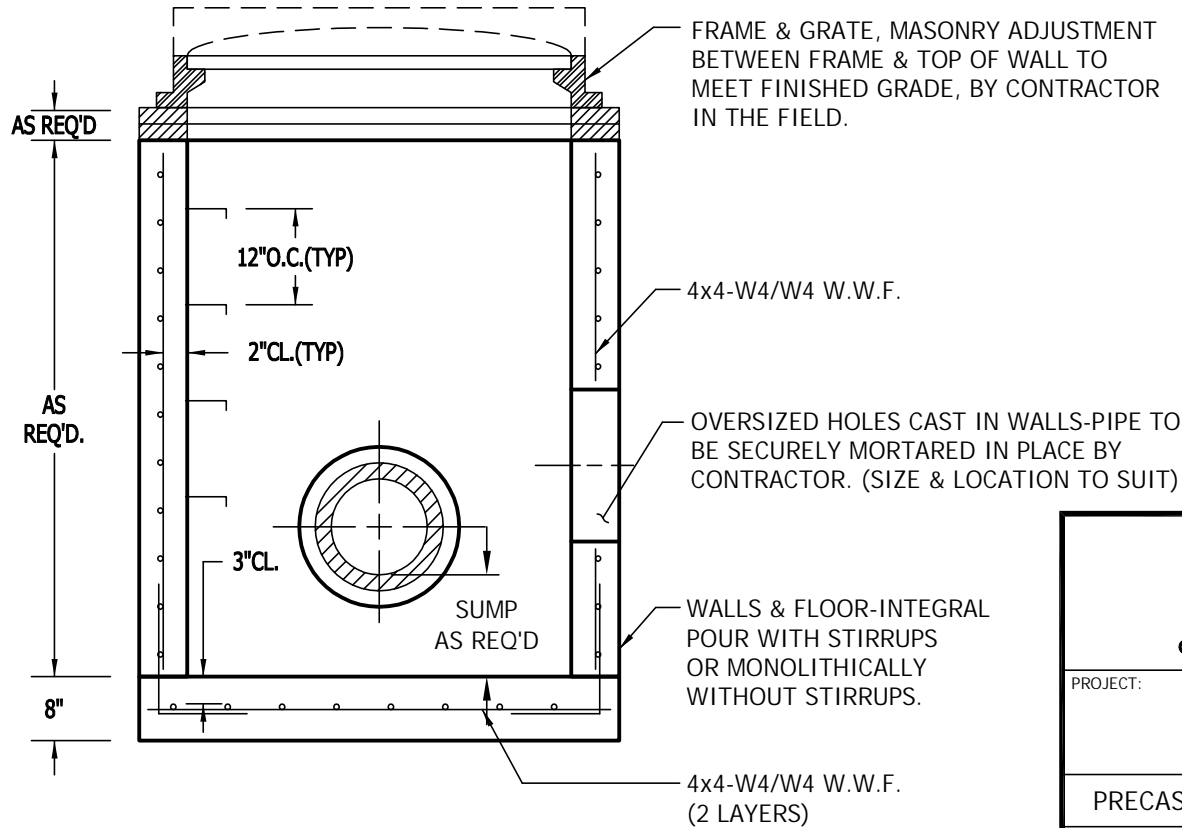


RISER SECTION TO BE  
 SECURELY MORTARED  
 TO BASE SECTION  
 BY CONTRACTOR.

WALL JOINT DETAIL  
 (WHEN REQUIRED)




PLAN



SECTION

NOTES:

- 1) CONCRETE TO TEST 4000 PSI AT 28 DAYS.
- 2) ALL COMPONENTS ARE DESIGNED TO WITHSTAND AASHTO HS-20 LOADING.
- 3) ALL MATERIALS ARE IN CONFORMANCE WITH N.Y.S.D.O.T. SPECIFICATIONS AND MATERIALS.

		7 Ruscitti Road New Windsor, New York, 12553 <a href="http://www.arconcrete.com">www.arconcrete.com</a> 845-562-0640	
PROJECT:		DATE:	
		REV.:	
PRECAST CONCRETE CATCH BASIN ID 36"x48"		DWN.BY:	AR LLC
CONTRACTOR:		DWG. NO.:	