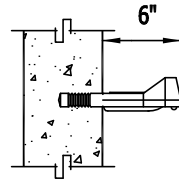
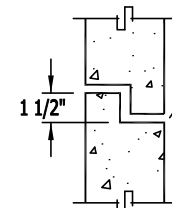


MA INDUSTRIES MODEL# PS2-PF
STEEL REINFORCED COPOLYMER
POLYPROPYLENE PLASTIC STEP

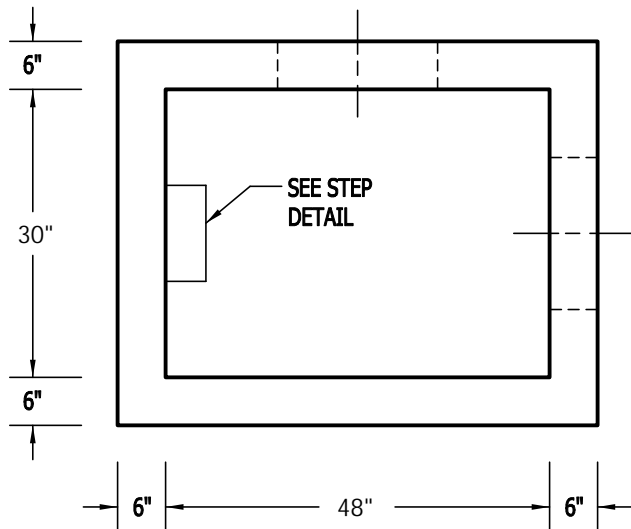


STEP DETAIL

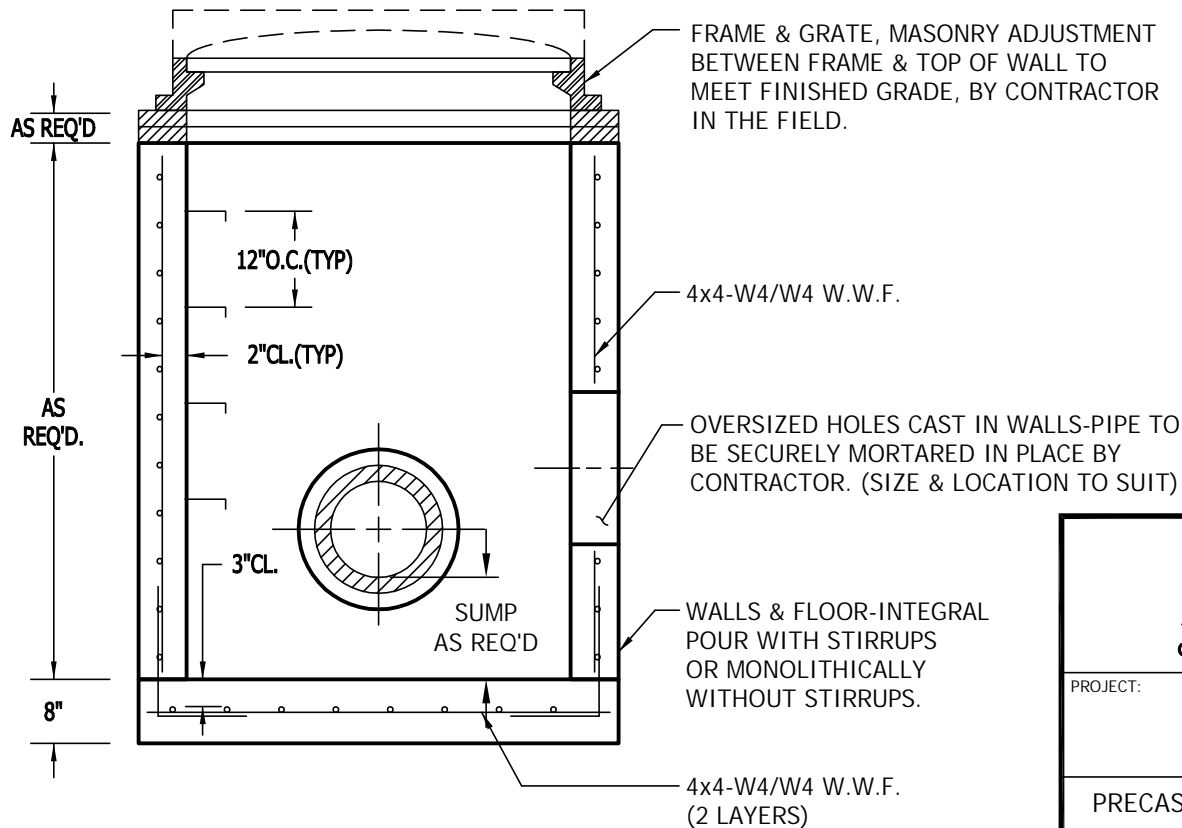


RISER SECTION TO BE
SECURELY MORTARED
TO BASE SECTION
BY CONTRACTOR.

WALL JOINT DETAIL
(WHEN REQUIRED)




PLAN



SECTION

NOTES:

- 1) CONCRETE TO TEST 4000 PSI AT 28 DAYS.
- 2) ALL COMPONENTS ARE DESIGNED TO WITHSTAND AASHTO HS-20 LOADING.
- 3) ALL MATERIALS ARE IN CONFORMANCE WITH N.Y.S.D.O.T. SPECIFICATIONS AND MATERIALS.

		7 Ruscitti Road New Windsor, New York, 12553 www.arconcrete.com 845-562-0640	
PROJECT:		DATE:	
PRECAST CONCRETE CATCH BASIN ID 30"x48"		REV.:	
CONTRACTOR:		DWN.BY:	AR LLC
		DWG. NO.:	